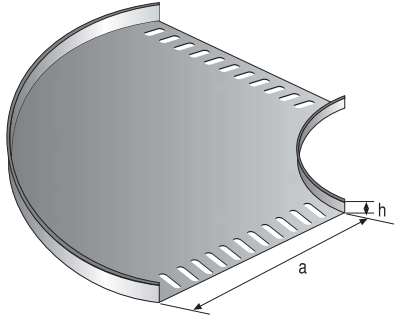




GEMİ TİPİ KABLO KANALLARI MARINE TYPE CABLE TRAYS

Gemi Tipi Kablo Kanalları Marine Type Cable Trays

Sipariş No (Order Number)	A (mm)	H (mm)	S (mm)	L (mm)	Ağırlığı (Weight) Kg / Ad
AFC - 15 G 50 . 10	50	15	1.0	2500	0.520
AFC - 15 G 70 . 10	70	15	1.0	2500	0.645
AFC - 15 G 100 . 10	100	15	1.0	2500	0.845
AFC - 15 G 120 . 15	120	15	1.5	2500	1.440
AFC - 15 G 160 . 15	160	15	1.5	2500	1.735
AFC - 15 G 200 . 15	200	15	1.5	2500	2.215
AFC - 15 G 240 . 20	240	15	2.0	2500	3.580
AFC - 15 G 300 . 20	300	15	2.0	2500	4.220

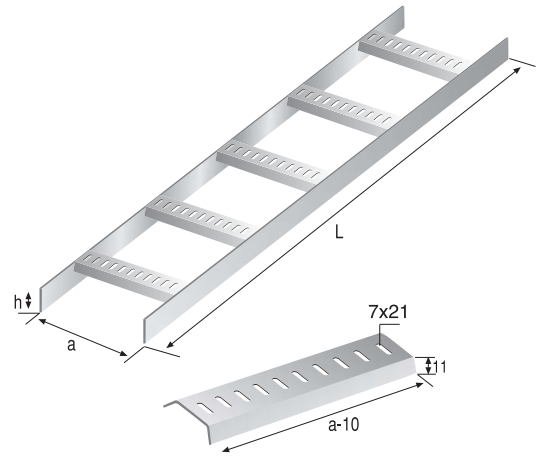


90° Yatay Dönüşler Horizontal Bends 90°

Sipariş No (Order Number)	A (mm)	B (mm)	H (mm)	S (mm)	Ağırlığı (Weight) Kg / Ad
AFC - 15 GK 50 . 15	55	55	15	1.5	0.130
AFC - 15 GK 70 . 15	75	75	15	1.5	0.190
AFC - 15 GK 100 . 15	105	105	15	1.5	0.300
AFC - 15 GK 120 . 15	125	125	15	1.5	0.390
AFC - 15 GK 160 . 15	165	165	15	1.5	0.730
AFC - 15 GK 200 . 15	205	205	15	1.5	1.150
AFC - 15 GK 240 . 15	245	245	15	1.5	1.670
AFC - 15 GK 300 . 20	305	305	15	2.0	2.290

Gemi Tipi Kablo Merdivenleri Marine Type Cable Ladders

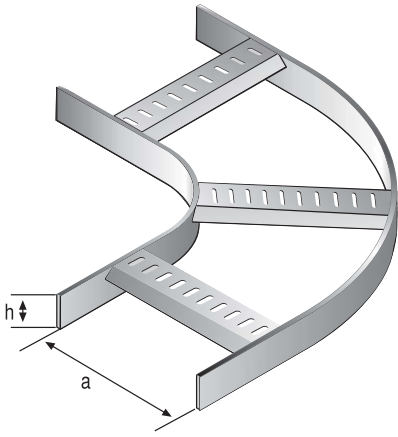
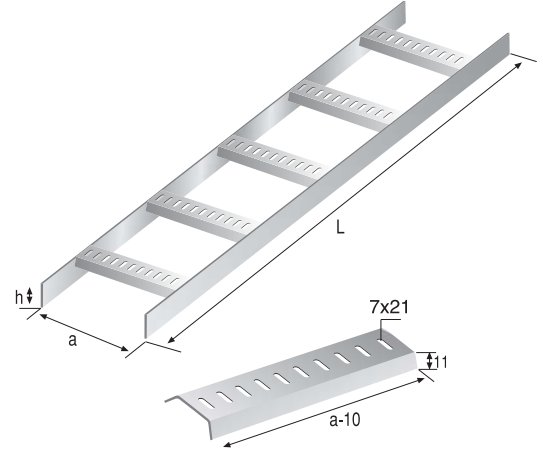
Sipariş No (Order Number)	A (mm)	H (mm)	S (mm)	L (mm)	Ağırlığı (Weight) Kg / Ad
AFC - 40 GM 100 . 50	100	40	5.0	2000	3.425
AFC - 40 GM 200 . 50	200	40	5.0	2000	3.690
AFC - 40 GM 300 . 50	300	40	5.0	2000	3.970
AFC - 40 GM 400 . 50	400	40	5.0	2000	4.275
AFC - 40 GM 500 . 50	500	40	5.0	2000	4.570
AFC - 40 GM 600 . 50	600	40	5.0	2000	4.865



Gemi Tipi Kablo Merdivenleri

Marine Type Cable Ladders

Sipariş No (Order Number)	A (mm)	H (mm)	S (mm)	L (mm)	Ağırlığı (Weight) Kg / Ad
AFC - 50 GM 100 . 50	100	50	5.0	2000	4.205
AFC - 50 GM 200 . 50	200	50	5.0	2000	4.480
AFC - 50 GM 300 . 50	300	50	5.0	2000	4.760
AFC - 50 GM 400 . 50	400	50	5.0	2000	5.060
AFC - 50 GM 500 . 50	500	50	5.0	2000	5.355
AFC - 50 GM 600 . 50	600	50	5.0	2000	5.655



90° Merdiven Yatay Dönüşler

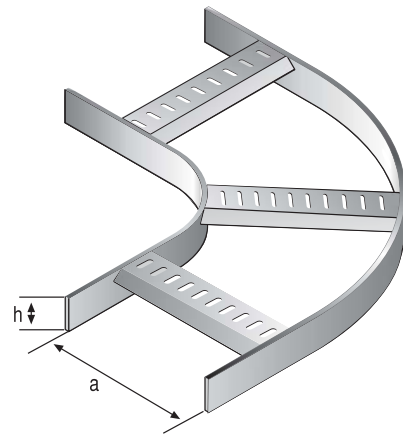
Ladder Horizontal Bends 90°

Sipariş No (Order Number)	A (mm)	B (mm)	H (mm)	S (mm)	Ağırlığı (Weight) Kg / Ad
AFC - 40 GMK 100 . 50	100	100	40	5.0	2.175
AFC - 40 GMK 200 . 50	200	200	40	5.0	2.670
AFC - 40 GMK 300 . 50	300	300	40	5.0	3.170
AFC - 40 GMK 400 . 50	400	400	40	5.0	3.690
AFC - 40 GMK 500 . 50	500	500	40	5.0	4.210
AFC - 40 GMK 600 . 50	600	600	40	5.0	4.725

90° Merdiven Yatay Dönüşler

Ladder Horizontal Bends 90°

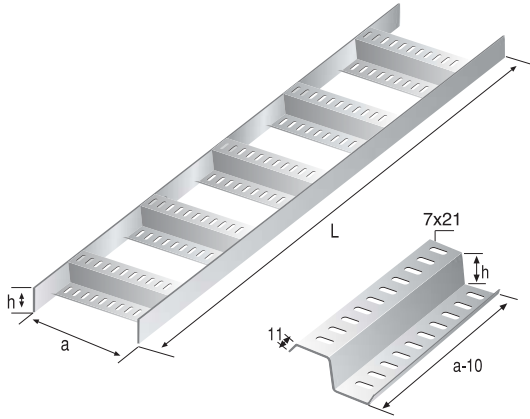
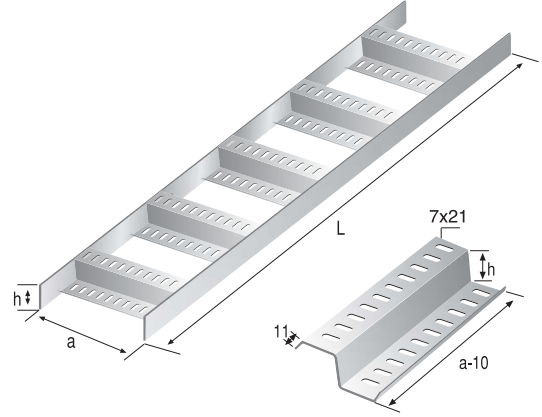
Sipariş No (Order Number)	A (mm)	B (mm)	H (mm)	S (mm)	Ağırlığı (Weight) Kg / Ad
AFC - 50 GMK 100 . 50	100	100	50	5.0	2.655
AFC - 50 GMK 200 . 50	200	200	50	5.0	3.210
AFC - 50 GMK 300 . 50	300	300	50	5.0	3.775
AFC - 50 GMK 400 . 50	400	400	50	5.0	4.350
AFC - 50 GMK 500 . 50	500	500	50	5.0	4.930
AFC - 50 GMK 600 . 50	600	600	50	5.0	5.510



Gemi Tipi Simetrik Kablo Merdivenleri

Marine Type Symetric Cable Ladders

Sipariş No (Order Number)	A (mm)	H (mm)	S (mm)	L (mm)	Ağırlığı (Weight) Kg / Ad
AFC - 40 GMS 100 . 50	100	40	5.0	2000	3.765
AFC - 40 GMS 200 . 50	200	40	5.0	2000	4.365
AFC - 40 GMS 300 . 50	300	40	5.0	2000	4.985
AFC - 40 GMS 400 . 50	400	40	5.0	2000	5.635
AFC - 40 GMS 500 . 50	500	40	5.0	2000	6.290
AFC - 40 GMS 600 . 50	600	40	5.0	2000	6.940



Gemi Tipi Simetrik Kablo Merdivenleri

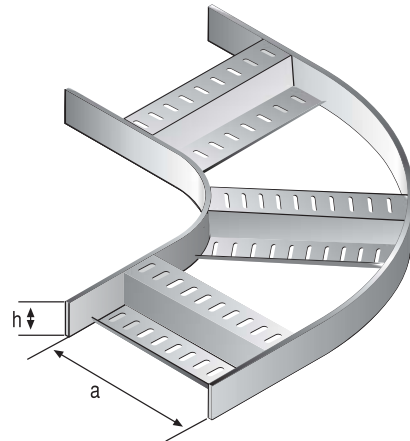
Marine Type Symetric Cable Ladders

Sipariş No (Order Number)	A (mm)	H (mm)	S (mm)	L (mm)	Ağırlığı (Weight) Kg / Ad
AFC - 50 GMS 100 . 50	100	50	5.0	2000	4.555
AFC - 50 GMS 200 . 50	200	50	5.0	2000	5.155
AFC - 50 GMS 300 . 50	300	50	5.0	2000	5.770
AFC - 50 GMS 400 . 50	400	50	5.0	2000	6.425
AFC - 50 GMS 500 . 50	500	50	5.0	2000	7.075
AFC - 50 GMS 600 . 50	600	50	5.0	2000	7.730

90° Simetrik Merdiven Yatay Dönüşler

Simetric Ladder Horizontal Bends 90°

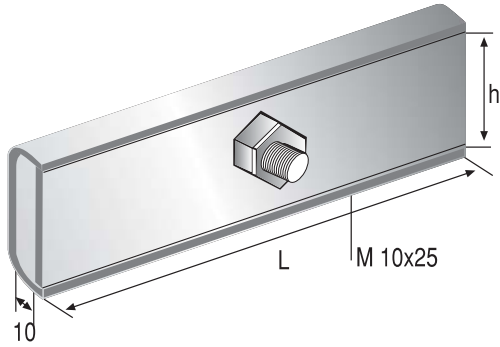
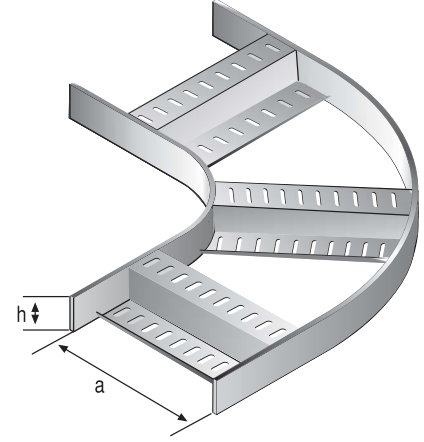
Sipariş No (Order Number)	A (mm)	B (mm)	H (mm)	S (mm)	Ağırlığı (Weight) Kg / Ad
AFC - 40 GSK 100 . 50	100	100	40	5.0	2.300
AFC - 40 GSK 200 . 50	200	200	40	5.0	3.040
AFC - 40 GSK 300 . 50	300	300	40	5.0	3.795
AFC - 40 GSK 400 . 50	400	400	40	5.0	4.575
AFC - 40 GSK 500 . 50	500	500	40	5.0	5.355
AFC - 40 GSK 600 . 50	600	600	40	5.0	6.140



90° Simetrik Merdiven Yatay Dönüşler

Simetric Ladder Horizontal Bends 90°

Sipariş No (Order Number)	A (mm)	B (mm)	H (mm)	S (mm)	Ağırlığı (Weight) Kg / Ad
AFC - 50 GSK 100 . 50	100	100	50	5.0	2.745
AFC - 50 GSK 200 . 50	200	200	50	5.0	3.540
AFC - 50 GSK 300 . 50	300	300	50	5.0	4.350
AFC - 50 GSK 400 . 50	400	400	50	5.0	5.190
AFC - 50 GSK 500 . 50	500	500	50	5.0	6.025
AFC - 50 GSK 600 . 50	600	600	50	5.0	6.860



Ek Parçası

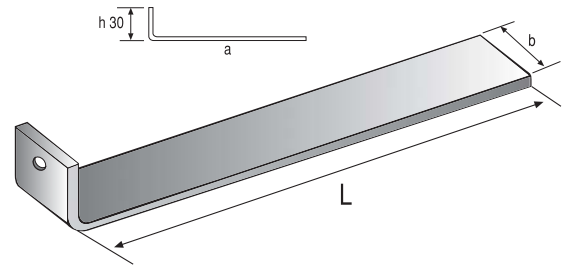
Addition Unit

Sipariş No (Order Number)	H (mm)	S (mm)	L (mm)	Ağırlığı (Weight) Kg / Ad
AFC - 40 GME 150 . 50	40	5.0	150	0.600
AFC - 50 GME 150 . 50	50	5.0	150	0.700

L Askı Ayakları

L Hanging Support

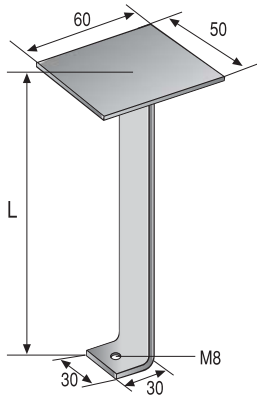
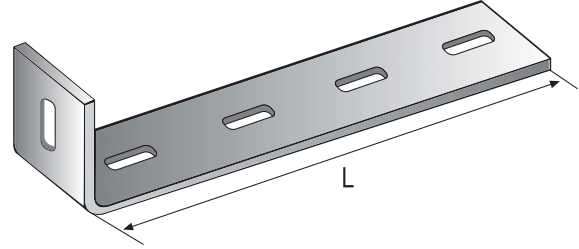
Sipariş No (Order Number)	H (mm)	S (mm)	L (mm)	Ağırlığı (Weight) Kg / Ad
AFC - 30 LA 100 . 50	30	5.0	100	0.150
AFC - 30 LA 200 . 50	30	5.0	200	0.270
AFC - 30 LA 300 . 50	30	5.0	300	0.390
AFC - 30 LA 400 . 50	30	5.0	400	0.510
AFC - 30 LA 500 . 50	30	5.0	500	0.630
AFC - 30 LA 600 . 50	30	5.0	600	0.750



Delikli L Askı Ayakları

L Hanging Perfrated Support

Sipariş No (Order Number)	A (mm)	S (mm)	L (mm)	Ağırlığı (Weight) Kg / Ad
AFC - 40 LA-DL 100 . 50	40	5.0	100	0.210
AFC - 40 LA-DL 200 . 50	40	5.0	200	0.350
AFC - 40 LA-DL 300 . 50	40	5.0	300	0.490
AFC - 40 LA-DL 400 . 50	40	5.0	400	0.630
AFC - 40 LA-DL 500 . 50	40	5.0	500	0.770
AFC - 40 LA-DL 600 . 50	40	5.0	600	0.910



Şapka L Askı Ayakları

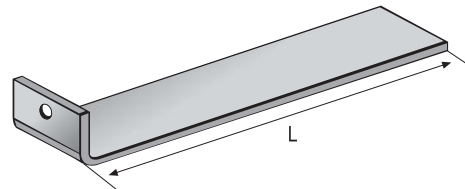
L Hat Hanging Support

Sipariş No (Order Number)	H (mm)	S (mm)	L (mm)	Ağırlığı (Weight) Kg / Ad
AFC - 30 LA-Ş 100 . 50	30	5.0	100	0.270
AFC - 30 LA-Ş 200 . 50	30	5.0	200	0.390
AFC - 30 LA-Ş 300 . 50	30	5.0	300	0.510
AFC - 30 LA-Ş 400 . 50	30	5.0	400	0.630
AFC - 30 LA-Ş 500 . 50	30	5.0	500	0.750
AFC - 30 LA-Ş 600 . 50	30	5.0	600	0.870

Pano Ayakları

Panel Support

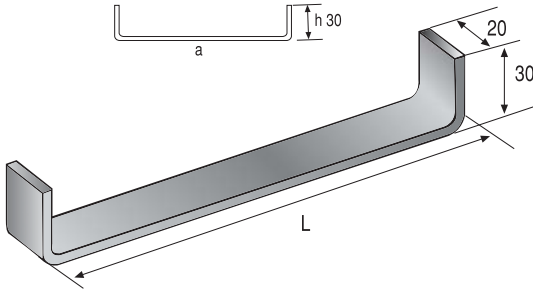
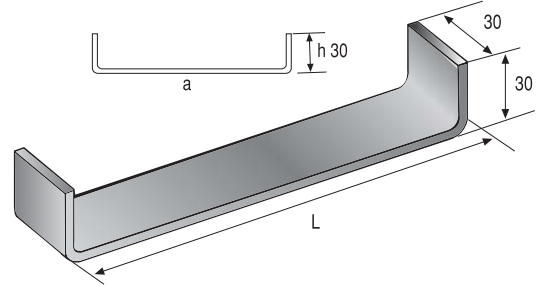
Sipariş No (Order Number)	H (mm)	S (mm)	L (mm)	Ağırlığı (Weight) Kg / Ad
AFC - 40 PA 100 . 50	40	5.0	100	0.200
AFC - 40 PA 200 . 50	40	5.0	200	0.360
AFC - 40 PA 300 . 50	40	5.0	300	0.520
AFC - 40 PA 400 . 50	40	5.0	400	0.680
AFC - 40 PA 500 . 50	40	5.0	500	0.840
AFC - 40 PA 600 . 50	40	5.0	600	1.000



U Konsollar

U Bracket

Sipariş No (Order Number)	H (mm)	S (mm)	L (mm)	Ağırlığı (Weight) Kg / Ad
AFC - 30 UK 100 . 50	30	5.0	100	0.170
AFC - 30 UK 200 . 50	30	5.0	200	0.290
AFC - 30 UK 300 . 50	30	5.0	300	0.410
AFC - 30 UK 400 . 50	30	5.0	400	0.530
AFC - 30 UK 500 . 50	30	5.0	500	0.650
AFC - 30 UK 600 . 50	30	5.0	600	0.770



Dar U Konsollar

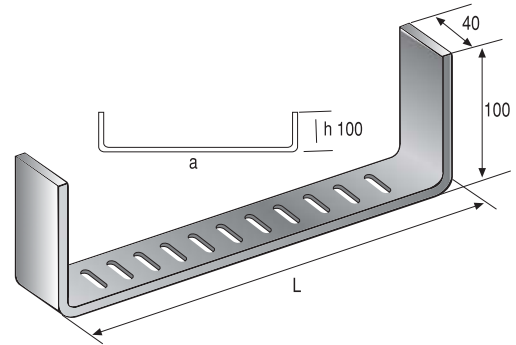
Narrow U Bracket

Sipariş No (Order Number)	H (mm)	S (mm)	L (mm)	Ağırlığı (Weight) Kg / Ad
AFC - 20 UK-D 100 . 50	20	5.0	100	0.120
AFC - 20 UK-D 200 . 50	20	5.0	200	0.200
AFC - 20 UK-D 300 . 50	20	5.0	300	0.280
AFC - 20 UK-D 400 . 50	20	5.0	400	0.360
AFC - 20 UK-D 500 . 50	20	5.0	500	0.440
AFC - 20 UK-D 600 . 50	20	5.0	600	0.520

Delikli U Konsollar

Perforated U Bracket

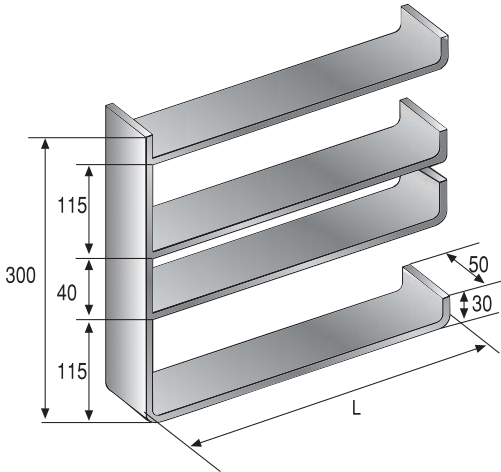
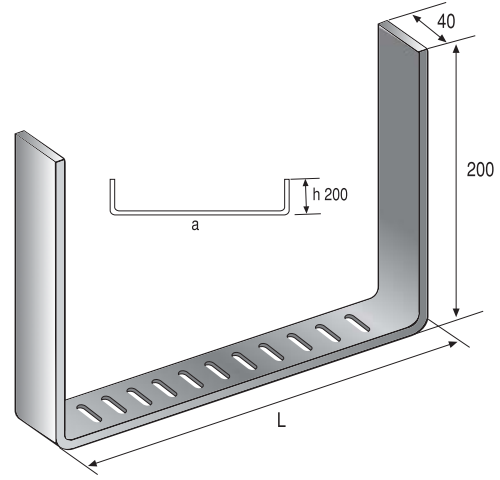
Sipariş No (Order Number)	H (mm)	S (mm)	L (mm)	Ağırlığı (Weight) Kg / Ad
AFC - 40 UK-DL 100 . 50	40	5.0	100	0.420
AFC - 40 UK-DL 200 . 50	40	5.0	200	0.540
AFC - 40 UK-DL 300 . 50	40	5.0	300	0.660
AFC - 40 UK-DL 400 . 50	40	5.0	400	0.780
AFC - 40 UK-DL 500 . 50	40	5.0	500	0.900
AFC - 40 UK-DL 600 . 50	40	5.0	600	1.020



Delikli Uzun U Konsollar

Perforated U Long Bracket

Sipariş No (Order Number)	H (mm)	S (mm)	L (mm)	Ağırlığı (Weight) Kg / Ad
AFC - 40 UK-DLU 100 . 50	40	5.0	100	0.730
AFC - 40 UK-DLU 200 . 50	40	5.0	200	0.850
AFC - 40 UK-DLU 300 . 50	40	5.0	300	0.970
AFC - 40 UK-DLU 400 . 50	40	5.0	400	1.090
AFC - 40 UK-DLU 500 . 50	40	5.0	500	1.210
AFC - 40 UK-DLU 600 . 50	40	5.0	600	1.330



E Konsollar

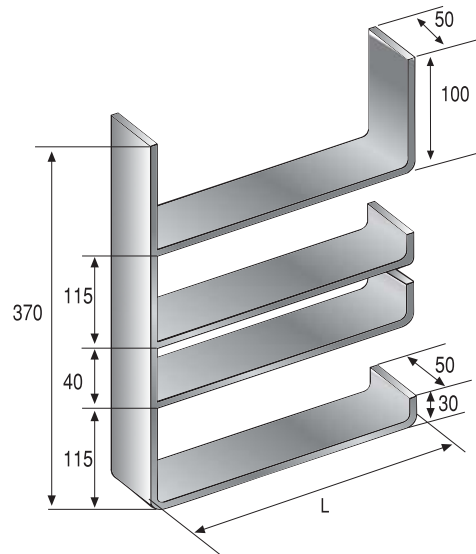
E Bracket

Sipariş No (Order Number)	H (mm)	S (mm)	L (mm)	Ağırlığı (Weight) Kg / Ad
AFC - 50 EK 100 . 50	40	5.0	100	1.750
AFC - 50 EK 200 . 50	40	5.0	200	2.350
AFC - 50 EK 300 . 50	40	5.0	300	2.950
AFC - 50 EK 400 . 50	40	5.0	400	3.550
AFC - 50 EK 500 . 50	40	5.0	500	4.150
AFC - 50 EK 600 . 50	40	5.0	600	4.750

Uzun E Konsollar

Long E Bracket

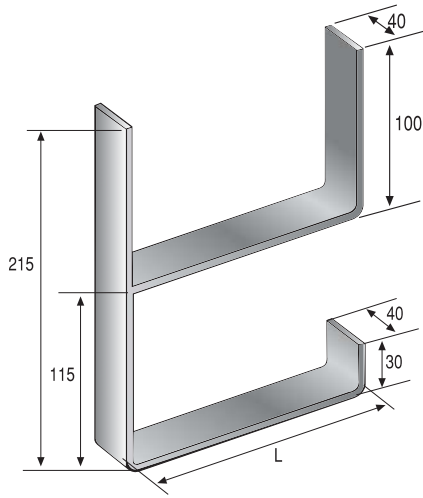
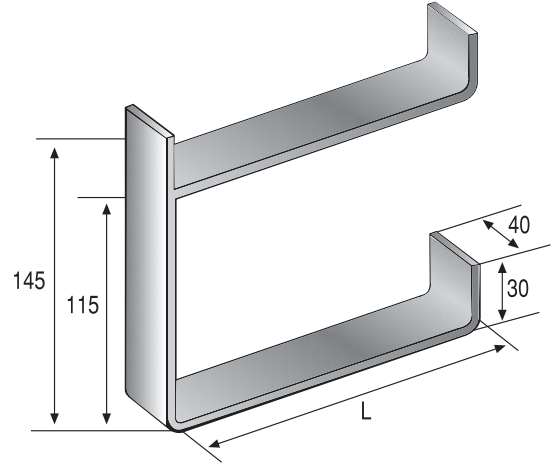
Sipariş No (Order Number)	H (mm)	S (mm)	L (mm)	Ağırlığı (Weight) Kg / Ad
AFC - 50 EK-U 100 . 50	40	5.0	100	2.030
AFC - 50 EK-U 200 . 50	40	5.0	200	2.630
AFC - 50 EK-U 300 . 50	40	5.0	300	3.230
AFC - 50 EK-U 400 . 50	40	5.0	400	3.830
AFC - 50 EK-U 500 . 50	40	5.0	500	4.430
AFC - 50 EK-U 600 . 50	40	5.0	600	5.030



F Konsollar

F Bracket

Sipariş No (Order Number)	H (mm)	S (mm)	L (mm)	Ağırlığı (Weight) Kg / Ad
AFC - 40 FK 100 . 50	40	5.0	100	0.600
AFC - 40 FK 200 . 50	40	5.0	200	0.920
AFC - 40 FK 300 . 50	40	5.0	300	1.240
AFC - 40 FK 400 . 50	40	5.0	400	1.560
AFC - 40 FK 500 . 50	40	5.0	500	1.880
AFC - 40 FK 600 . 50	40	5.0	600	2.200



Uzun F Konsollar

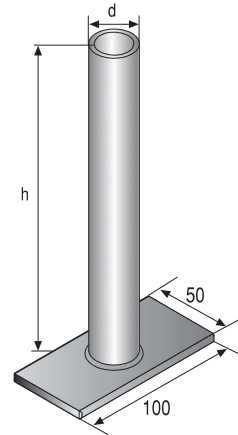
Long F Bracket

Sipariş No (Order Number)	H (mm)	S (mm)	L (mm)	Ağırlığı (Weight) Kg / Ad
AFC - 40 FK-U 100 . 50	40	5.0	100	0.820
AFC - 40 FK-U 200 . 50	40	5.0	200	1.140
AFC - 40 FK-U 300 . 50	40	5.0	300	1.460
AFC - 40 FK-U 400 . 50	40	5.0	400	1.780
AFC - 40 FK-U 500 . 50	40	5.0	500	2.100
AFC - 40 FK-U 600 . 50	40	5.0	600	2.420

Lamba Direği

Support For Lamp

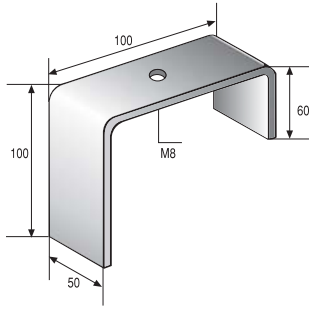
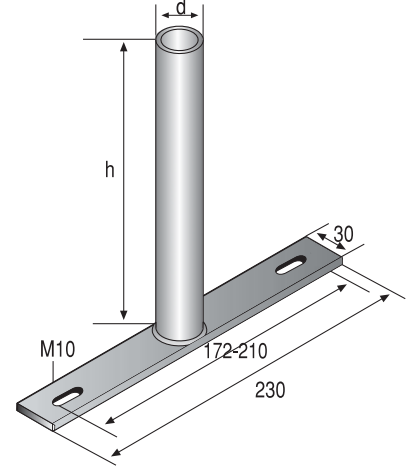
Sipariş No (Order Number)	A (mm)	B (mm)	S (mm)	R (mm)	L (mm)	Ağırlığı (Weight) Kg / Ad
AFC - 1 LD 100 . 50	50	100	5.0	3/4"	100	0.360
AFC - 1 LD 200 . 50	50	200	5.0	3/4"	100	0.520
AFC - 1 LD 300 . 50	50	300	5.0	3/4"	100	0.680
AFC - 1 LD 400 . 50	50	400	5.0	3/4"	100	0.840
AFC - 1 LD 500 . 50	50	500	5.0	3/4"	100	1.000
AFC - 1 LD 600 . 50	50	600	5.0	3/4"	100	1.160
AFC - 2 LD 100 . 50	50	100	5.0	1/2"	100	0.450
AFC - 2 LD 200 . 50	50	200	5.0	1/2"	100	0.700
AFC - 2 LD 300 . 50	50	300	5.0	1/2"	100	0.950
AFC - 2 LD 400 . 50	50	400	5.0	1/2"	100	1.120
AFC - 2 LD 500 . 50	50	500	5.0	1/2"	100	1.450
AFC - 2 LD 600 . 50	50	600	5.0	1/2"	100	1.700



Harici Lamba Direği

Support For External Lamp

Sipariş No (Order Number)	A (mm)	B (mm)	S (mm)	R (mm)	L (mm)	Ağırlığı (Weight) Kg / Ad
AFC - 1 LD-H 100 . 50	30	100	5.0	3/4"	230	0.440
AFC - 1 LD-H 200 . 50	30	200	5.0	3/4"	230	0.600
AFC - 1 LD-H 300 . 50	30	300	5.0	3/4"	230	0.760
AFC - 1 LD-H 400 . 50	30	400	5.0	3/4"	230	0.920
AFC - 1 LD-H 500 . 50	30	500	5.0	3/4"	230	1.080
AFC - 1 LD-H 600 . 50	30	600	5.0	3/4"	230	1.240
AFC - 2 LD-H 100 . 50	30	100	5.0	1/2"	230	0.530
AFC - 2 LD-H 200 . 50	30	200	5.0	1/2"	230	0.780
AFC - 2 LD-H 300 . 50	30	300	5.0	1/2"	230	1.030
AFC - 2 LD-H 400 . 50	30	400	5.0	1/2"	230	1.280
AFC - 2 LD-H 500 . 50	30	500	5.0	1/2"	230	1.530
AFC - 2 LD-H 600 . 50	30	600	5.0	1/2"	230	1.780



Lamba Ayağı

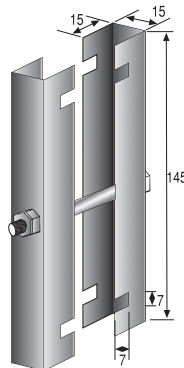
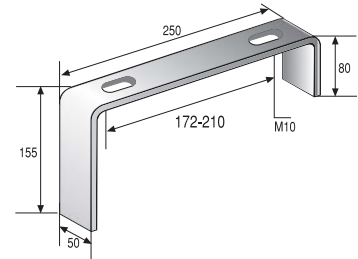
Supportn For Lamp

Sipariş No (Order Number)	A (mm)	B (mm)	H (mm)	S (mm)	L (mm)	Ağırlığı (Weight) Kg / Ad
AFC - LA 100 . 50	50	60	100	5.0	100	0.490

Harici Lamba Ayağı

Support For External Lamp

Sipariş No (Order Number)	A (mm)	B (mm)	H (mm)	S (mm)	L (mm)	Ağırlığı (Weight) Kg / Ad
AFC - LA- H 250 . 50	50	80	155	5.0	250	0.930



F Konsol Kelepçesi

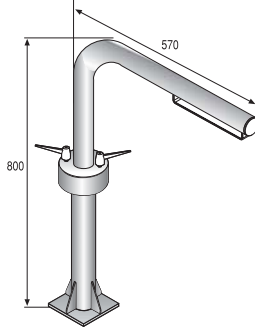
F Console Clamps

Sipariş No (Order Number)	Ağırlığı (Weight) Kg / Ad
AFC - FKK	0.160



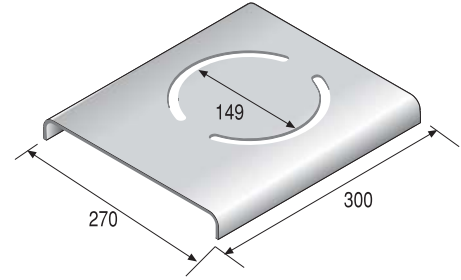
Döner Merdiven Ayağı
Support Return Ladders

Sipariş No (Order Number)	Ağırlığı (Weight) Kg / Ad
AFC - DMA	16.200



Döner Reflektör Ayağı
Return Hanging Support

Sipariş No (Order Number)	Ağırlığı (Weight) Kg / Ad
AFC - DRA	5.500



Menholler
Manholes

Sipariş No (Order Number)	A (mm)	H (mm)	S (mm)	L (mm)	Ağırlığı (Weight) Kg / Ad
AFC - 100 MHA 100 . 100	100	100	10.0	100	3.520
AFC - 100 MHA 150 . 100	150	100	10.0	100	4.320
AFC - 100 MHA 200 . 100	200	100	10.0	100	5.120
AFC - 100 MHA 250 . 100	250	100	10.0	100	5.920
AFC - 100 MHA 300 . 100	300	100	10.0	100	6.720
AFC - 100 MHA 400 . 100	400	100	10.0	100	8.320
AFC - 100 MHA 500 . 100	500	100	10.0	100	9.920
AFC - 100 MHA 600 . 100	600	100	10.0	100	11.520
AFC - 100 MHB 100 . 100	100	100	10.0	250	8.800
AFC - 100 MHB 150 . 100	150	100	10.0	250	10.800
AFC - 100 MHB 200 . 100	200	100	10.0	250	12.800
AFC - 100 MHB 250 . 100	250	100	10.0	250	14.800
AFC - 100 MHB 300 . 100	300	100	10.0	250	16.800
AFC - 100 MHB 400 . 100	400	100	10.0	250	20.800
AFC - 100 MHB 500 . 100	500	100	10.0	250	24.800
AFC - 100 MHB 600 . 100	600	100	10.0	250	28.800
AFC - 120 MHA 100 . 100	100	120	10.0	100	3.840
AFC - 120 MHA 150 . 100	150	120	10.0	100	4.640
AFC - 120 MHA 200 . 100	200	120	10.0	100	5.440
AFC - 120 MHA 250 . 100	250	120	10.0	100	6.240
AFC - 120 MHA 300 . 100	300	120	10.0	100	7.040
AFC - 120 MHA 400 . 100	400	120	10.0	100	8.640
AFC - 120 MHA 500 . 100	500	120	10.0	100	10.240
AFC - 120 MHA 600 . 100	600	120	10.0	100	11.840
AFC - 120 MHB 100 . 100	100	120	10.0	250	9.600
AFC - 120 MHB 150 . 100	150	120	10.0	250	11.600
AFC - 120 MHB 200 . 100	200	120	10.0	250	13.600
AFC - 120 MHB 250 . 100	250	120	10.0	250	15.600
AFC - 120 MHB 300 . 100	300	120	10.0	250	17.600
AFC - 120 MHB 400 . 100	400	120	10.0	250	21.600
AFC - 120 MHB 500 . 100	500	120	10.0	250	25.600
AFC - 120 MHB 600 . 100	600	120	10.0	250	29.600

